

Tokyo Sokuteikizai Co.,Ltd.

Trackball Catalogue

Trackball TB36 ————— P. 02

designed for usage in numerous kinds of devices and equipments

Track ball



TB36 Series



Outline

TB36 series are high-spec trackballs for various sorts of professional use: for medical devices (e.g. ultrasonic reflectoscope, specular microscope), mixing units of audio devices, factory automation systems etc.

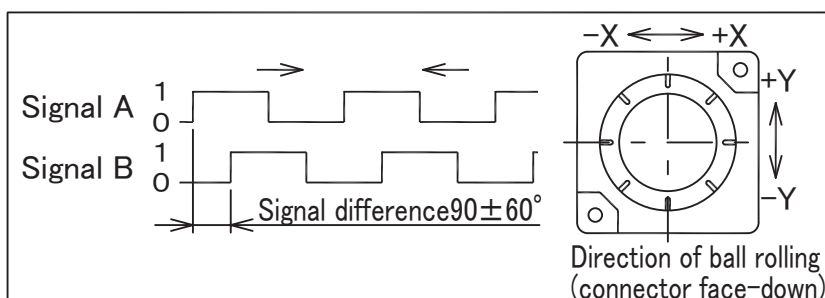
Features

- Low Cost
- RoHS compliant
- Translucent ball with LED option
- Easy Maintenance
- Long life use
 - Over 3million ball revolutions.

Specifications

Operating temperature	0°C to +45°C 32F to 113F
Supply voltage	DC5V±5% no more than 30mA
Ball	S φ 36mm/1.4inch
Output axes	2way axes (X, Y)
Pulse	216 pulses per ball generation (±10%)
Out put signals	Two square wave signals: CMOS (TTL)
Ball driving force	15±10mN
Life time	Over 3million ball revolutions
Ball load	200N maximum downward pressure
Mounting position	Horizontal to 30°

Output Wave form

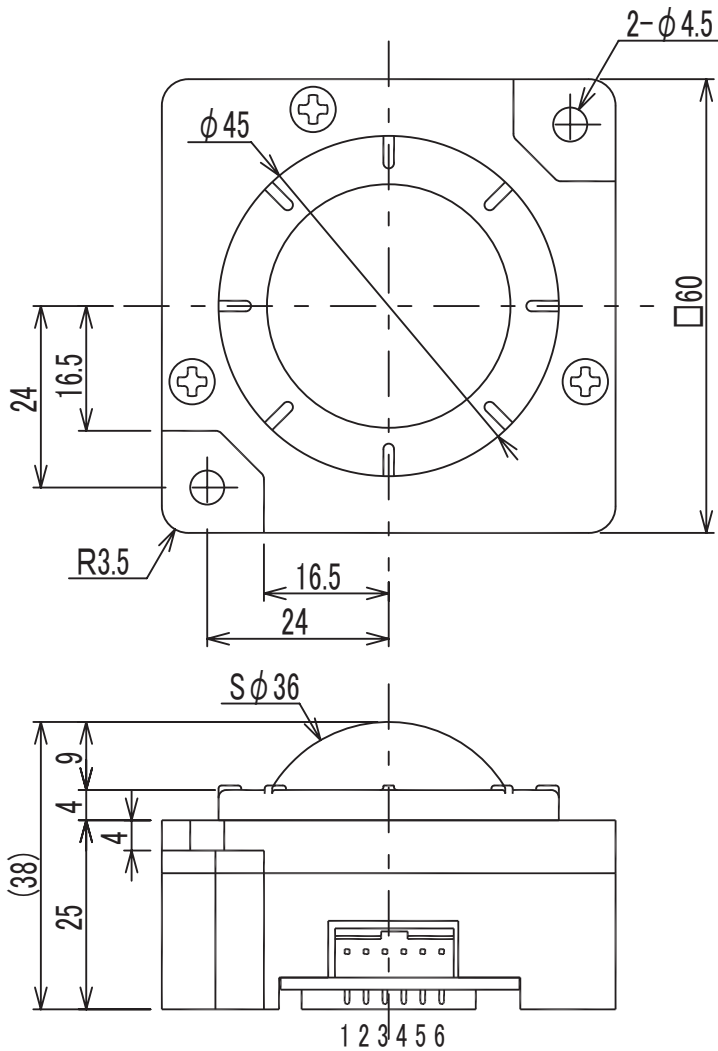


Part Number Designation

TB36 L S W
 ① ② ③ ④

- ① 38mm Track
- ② Operational torque : Light
- ③ Output signal: Two square wave output (A/B)
- ④ Color :
 W: Ivory white
 T: Transparent

Dimensions (mm)



Connection

Pin No.	Function
1	+5V Input
2	0V Common return
3	XA Signal output
4	XB Signal output
5	YA Signal output
6	YB Signal output

Connector :
 IL-6PS3FP2-1 (JAE)

Precautions

● Maintenance

Pick up ball:

-Turn the ring counterclockwise by approx. 40°.

-Set the idler on the arrow position.

Bring back ball:

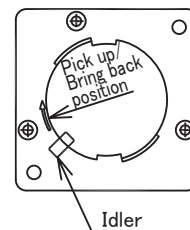
-Set the idler on the arrow position, and turn the ring clockwise.

● Cleaning:

-XY axis sensor, Idler: Wipe with cotton buds.

-Ball: Wipe with dry cloth.

: If balls are still unclean, use ethyl alcohol or neutral detergent (grit, alkaline are not included)



NOTE: 1) Any shock or vibration may cause malfunctions.

2) TB36 series are not waterproof.