

# Handy Manual Pulse Generator



## HT Series



### Outline

HT series are easy-to-handle and compact Handy MPGs which put a premium on safety with 3-position enabling switches and emergency stop buttons.

### Features

- Ergonomically designed and compact to be held with one hand
- 3-position (off-on-off) enabling switch available on either side
- Upper part is free to design and allows various kinds of switches (including emergency stop button) to be set
- RoHS compliant
- On the middle part: either MR8A - the rotary switch series or MR8C - the digital code switch series selectable
- Strong plate magnets available on back side (as option)
- Various types of curl cords provided along with connectors of all sorts at your request

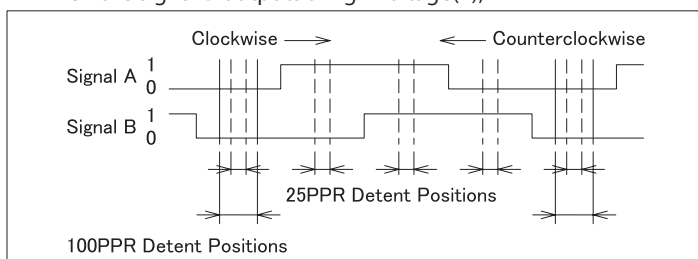
### Specifications

1. Body	
Dimension	170×80×39(mm)
LED light	DC24V Green
Enabling switches	Available on both sides
Logo	Logo available on the wheel cover

2. Mechanical specifications	
2.1 Rotary Encoder Unit	

Output Voltage	DC5V±10%, DC12V±10% or 12~24V
Wheel	100 clicks / rotation 100 pulses or 25 pulses per rotation
Rotational Durability	Over 1,000,000 times
Output Waveform	

- 1) Turning the shaft clockwise would generate the signal A when the signal B outputs a low voltage (0);
- 2) Rotating the shaft counter-clockwise would generate the signal A when the signal B outputs a high voltage(1);



\* See RE45B catalog for more details

2.2 Selector Switches
-----------------------

MR8A (rotary switch) 25V15mA (AC/DC)  
MR8C (code switch) 15V10mA (AC/DC)  
\* See MR8A/MR8C catalog for more details

3. Curl/Straight Cords
------------------------

Curl Cord	19/25-conductor shielded cable 19-conductor: select from 2m, 3m, 4m, 5m 25-conductor: select from 3m, 5m (We will select either 19 or 25-conductor in accordance with required functions) For further details, please see the catalogues for curl cords
Straight Cord	Also available

5. Connector Unit
-------------------

Connector	Dripproofed connector to be attached on the end of the cord optionally provided (NRW-2424-PM8/NRW-2424-RF)
-----------	--

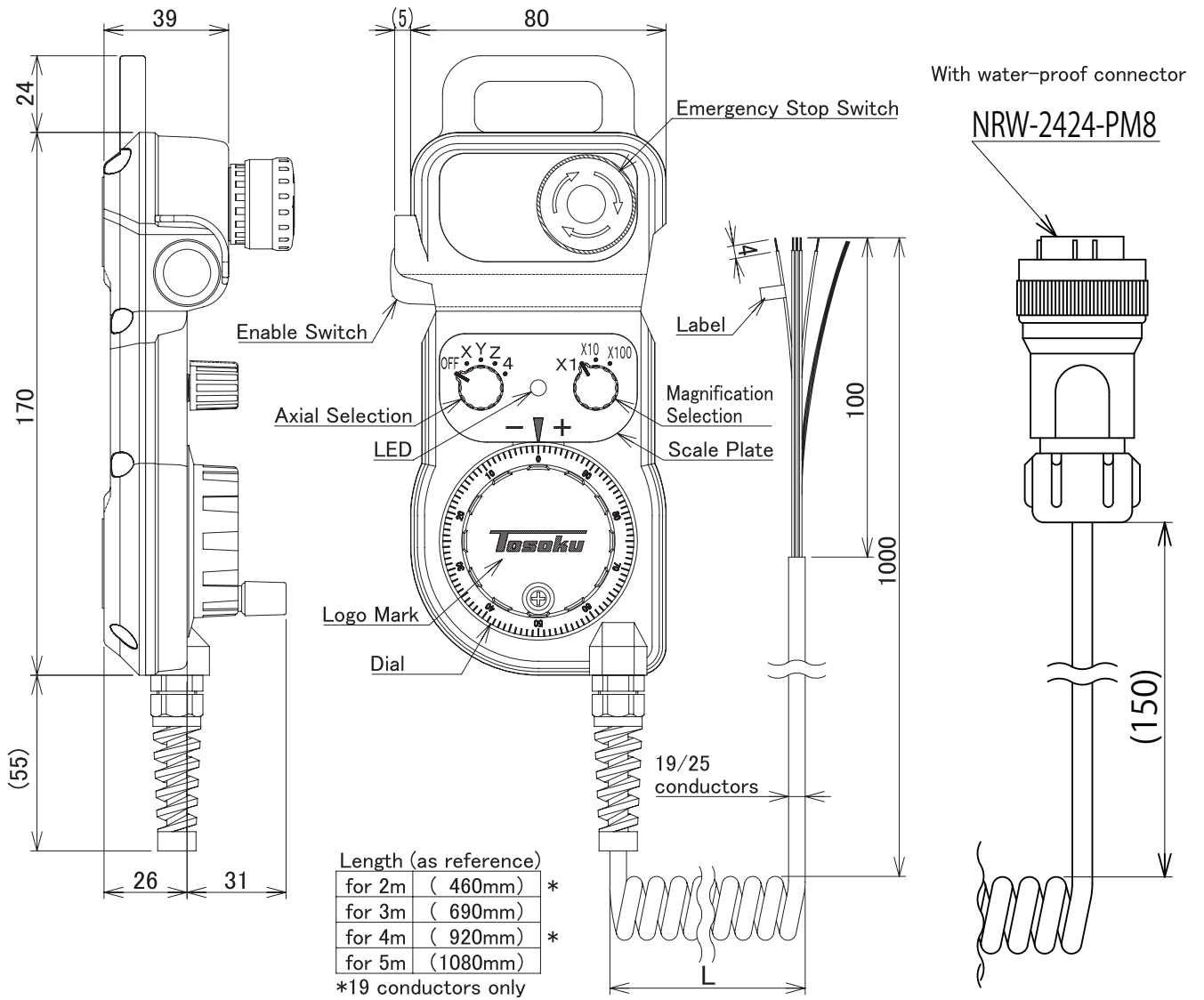
### Warranty

- 1 year from the date of shipment.

# Dimensions (mm)

HT Unit with curl cord

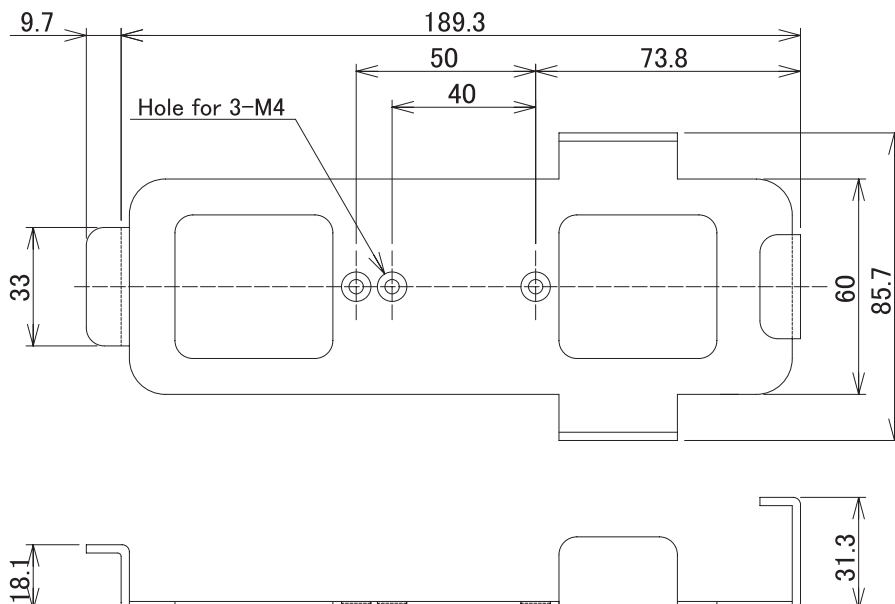
※ This drawing is an example, it may differ according to number of swithes etc.



Original Holder

Material : SPCC

Cathodic Electrodeposition Coating



# H T series Order Sheet (Print out this page for sending orders.)

We'll hand in to you a drawing in accordance with your order. The drawing shall be approved before starting in on production.

1) Select one from each spec table and fill blank spaces with "O".

Pulses/Rev.	
<input type="checkbox"/>	100PPR
* <input type="checkbox"/>	25PPR

\*25PPR and yet 100 Clicks/Revolution

Power Supply	Output
<input type="checkbox"/>	5V 5V (330Ω Pull Up)
<input type="checkbox"/>	5V Open Collector
<input type="checkbox"/>	5V (for Line Driver)
<input type="checkbox"/>	12V 5V (2.2kΩ Pull Up)
<input type="checkbox"/>	12V 12V (2.2kΩ Pull Up)
<input type="checkbox"/>	12V Open Collector
* <input type="checkbox"/>	12V- for Photocoupler 24V (Open Collector)

\* Transistor will be "OFF" at every clicked positions.

(For other open collector output models, transistors will be "ON" at every clicked positions.)

Logo on the dial	
<input type="checkbox"/>	None
<input type="checkbox"/>	with "TOSOKU" logo
<input type="checkbox"/>	with an original logo( )

3-Positions Enabling Switch (contacts)	
<input type="checkbox"/>	None
<input type="checkbox"/>	One on the left( )
<input type="checkbox"/>	On both sides( )

\* Assigned contacts should be 2 or less for normally open (NO) and 2 or less for normally closed (NC).

(2A2B maximum.)

Emergency Switch (contacts)	
<input type="checkbox"/>	None
<input type="checkbox"/>	Mounted ( )

\* 1 for (NO), 4 for (NC) maximum (1A/4B). Maximum of 4 contacts in total (1A3B or 4B).

Magnet on the backside	
<input type="checkbox"/>	None
<input type="checkbox"/>	Mounted

Axis Selector/Multiplication Selector Switches	
<input type="checkbox"/>	MR8C type (Gray code switch)
<input type="checkbox"/>	MR8A type (Selection switch)

Indications for Axis Selector (left)

e.g.	OFF, X, Y, Z, 4, 5
<input type="checkbox"/>	

Indications for Multiplication Selector (right)

e.g.	x1, x10, x100
<input type="checkbox"/>	

Curl Cord Length	
<input type="checkbox"/>	2m Curl Cord (for only 19-conductor cord)
<input type="checkbox"/>	3m Curl Cord
<input type="checkbox"/>	4m Curl Cord (for only 19-conductor cord)
<input type="checkbox"/>	5m Curl Cord

\* We will select either 19-conductor cord or 25-conductor cord to cover your requested specs

Waterproofed Connector (for curl cord)	
<input type="checkbox"/>	None
<input type="checkbox"/>	Male connector (NRW-2424-PM8)
<input type="checkbox"/>	Female connector (NRW-2424-RF)

\* Fill in both spaces to order both connectors.

2) Other options

Other options to request	
(e.g.)	
Switches with LED illumination x 2	
2 contact selector switch x1	
-----	
-----	
-----	
-----	
-----	
-----	
-----	
-----	
-----	



- Rotary Encoders
  - Pulse Generators
  - Rotary Switches
- Code Switches
  - Lever Switches
  - Trackballs