

# Handy Manual Pulse Generator



# HS Series

## Outline

HS is a free-to-design handheld manual pulse generator which allows wide variety of switches laid out at your service.

## Features

- Optional layout of switches
- 3-position (off-on-off) switch available on both sides
- RoHS compliant (box/cord)
- Emergency stop button also available
- Holder provided
- Strong plate magnet as an additional accessory. (optional)
- Various types of curl cords provided along with connectors by all sorts of your request

## Specifications

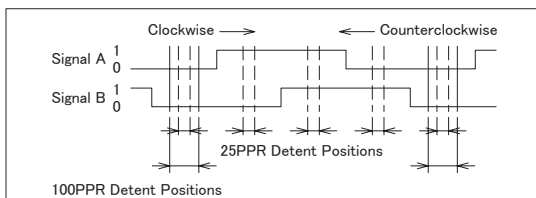
1. Body	
Dimension	180×96×50(mm)
Enabling Switch	Available on both sides
Other Features	Logo available on the wheel cover

2. Mechanical specifications	
2.1 Rotary Encoder Unit	

Output Voltage	DC5V±10%, DC12V±10%
Wheel	100 clicks / rotation 100 puluse or 25 pulses per rotation
Rotational Durability	Over 1,000,000 times

### Output Waveform

- 1) Turning the shaft clockwise would generate the signal A when the signal B outputs a low voltage (0);
- 2) Rotating the shaft counter-clockwise would generate the signal A when the signal B outputs a high voltage(1);



\* See RE45B page for details

2.2 Selector Switches	
-----------------------	--

RS400 (Rotary switch)  
AC 30V1.0A / 200V0.2A  
DC 20V1.0A / 200V0.1A (Resistance Load)  
DP (Code switch)  
AC 5V0.5V/50V0.05A  
DC 5V0.25A / 25V0.05A (Resistance Load)

\* See RS400/DP pages for details

3. Curl/Straight Cords	
------------------------	--

Curl Cord	19/25-conductor shielded cable 19-conductor: select from 2m, 3m, 4m, 5m 25-conductor: select from 3m, 5m (We will select either 19 or 25-conductor in accordance with required functions) For further details, please see the catalogues for curl cords
Straight Cord	Also available

4. Connector Unit	
-------------------	--

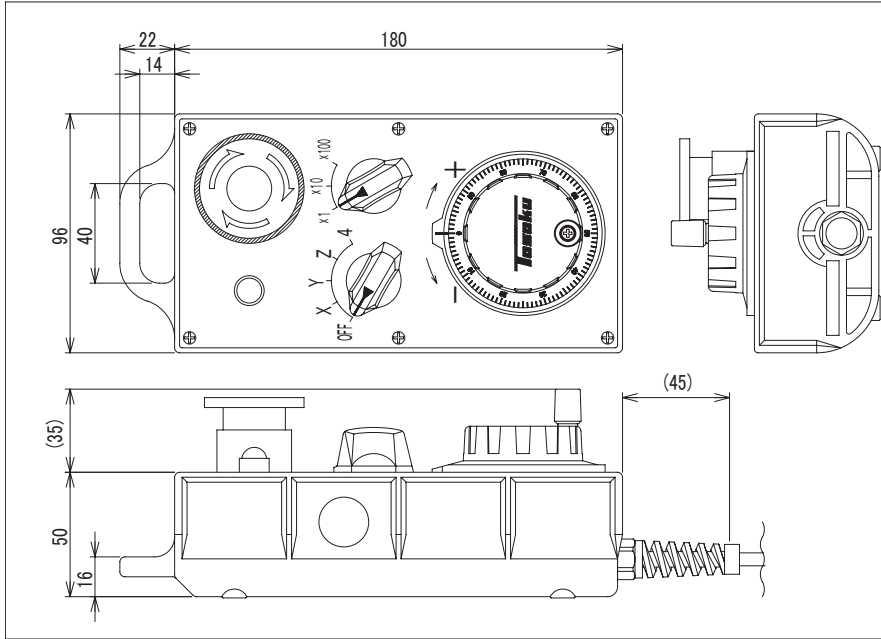
Connector	Dripproofed connector to be attached on the end of the cord optionally provided
-----------	---

## Warranty

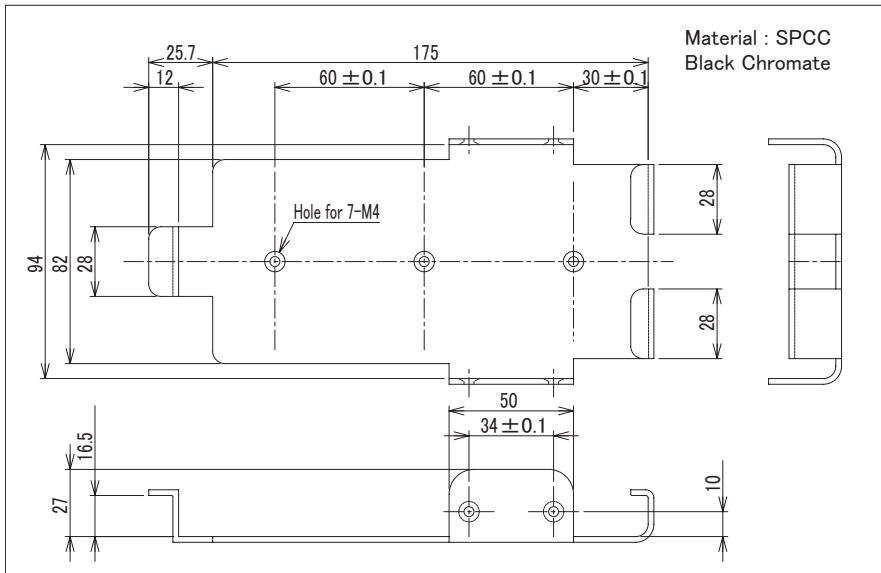
- 1 year from the date of shipment.

# Dimensions (mm)

HS Main unit ※ This drawing is an example, it may differ according to number of swithes etc.



HS Original holder



HS Layout examples

